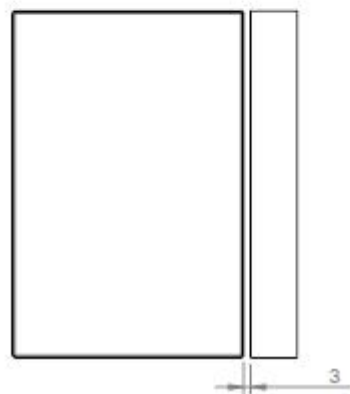
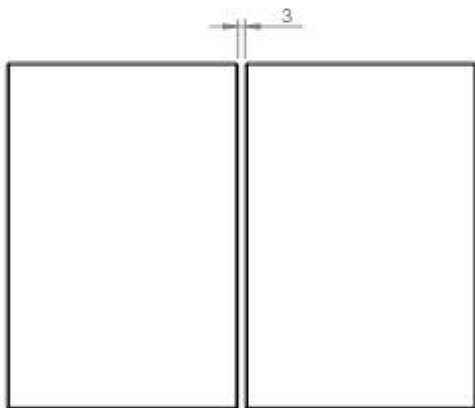
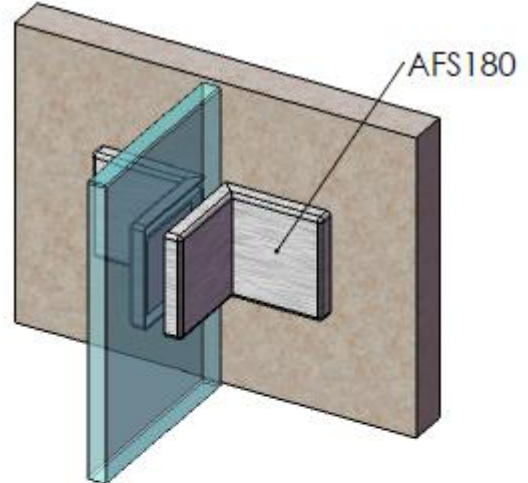
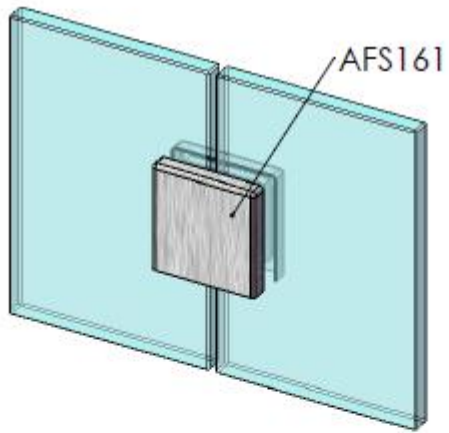
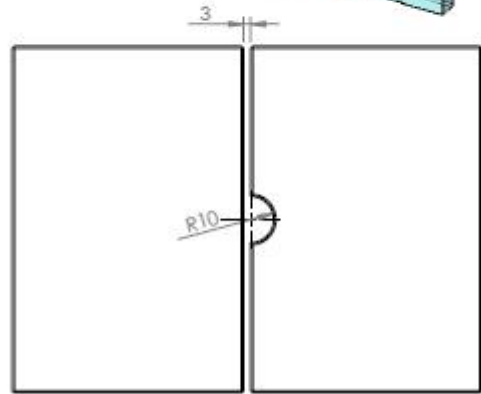
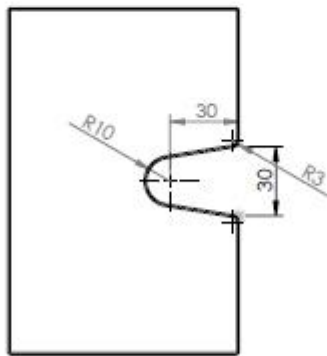
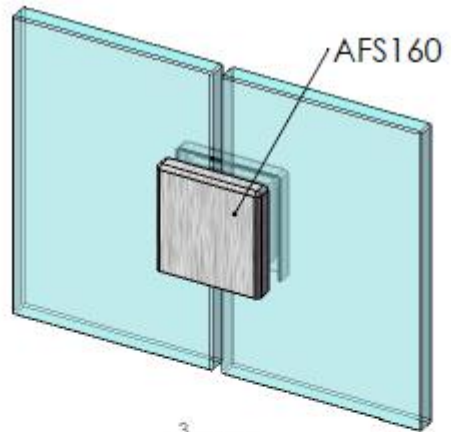
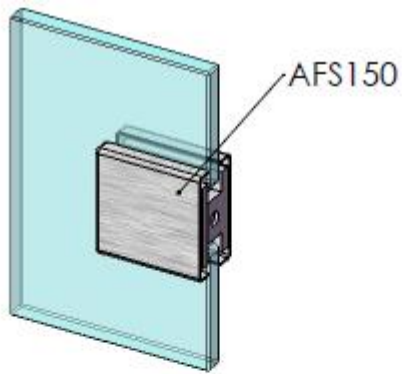
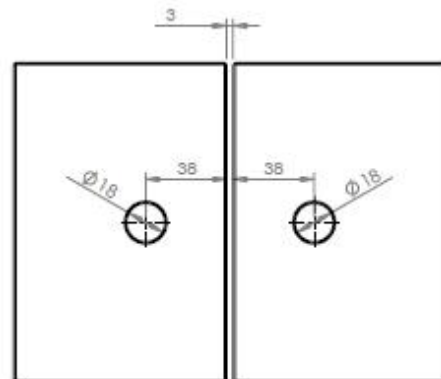
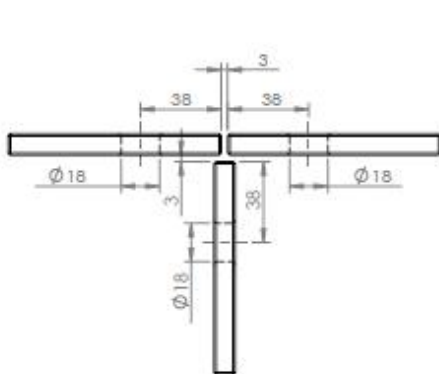
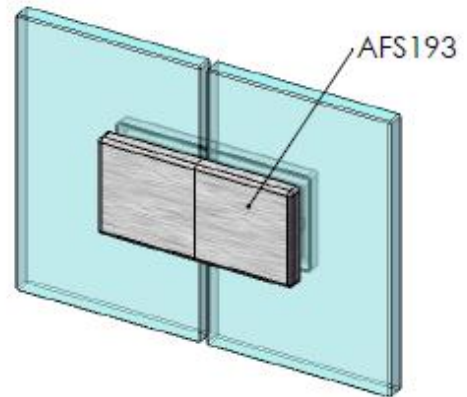
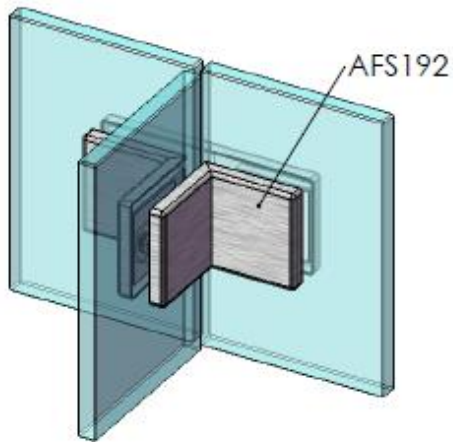
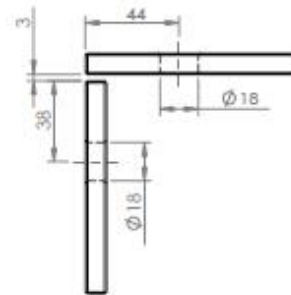
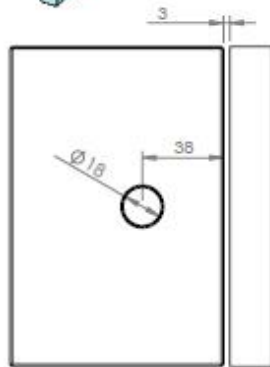
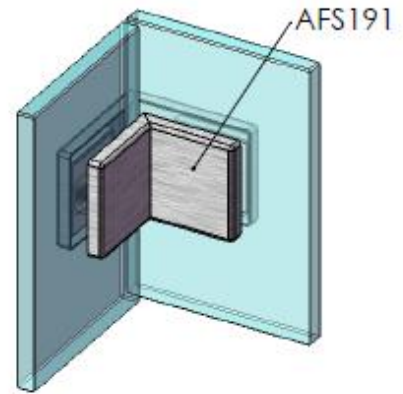
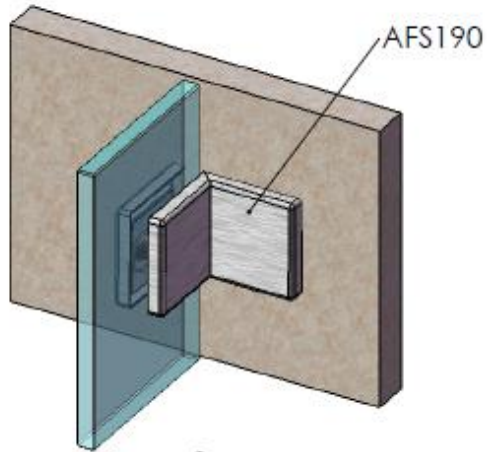


1.2. AFS – glass fixing elements



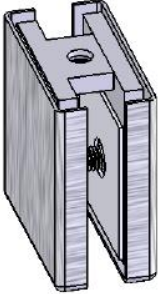
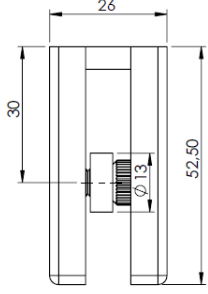
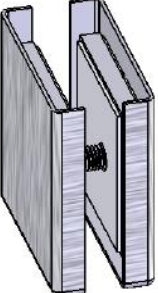
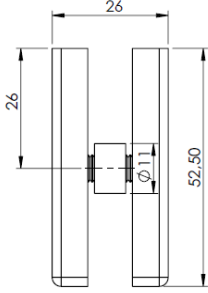

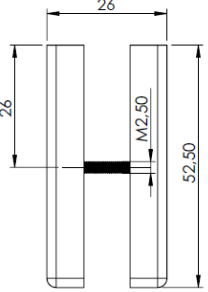
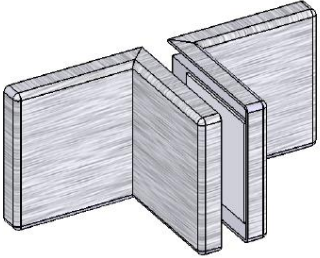
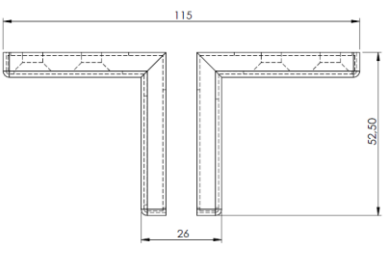
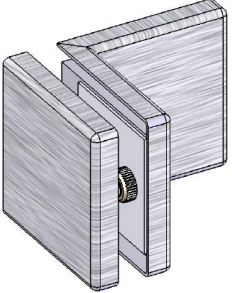
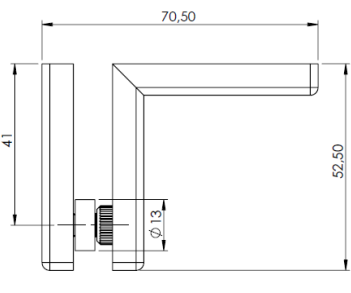
1.2.1. Technical information

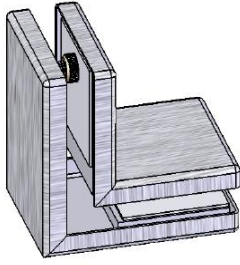
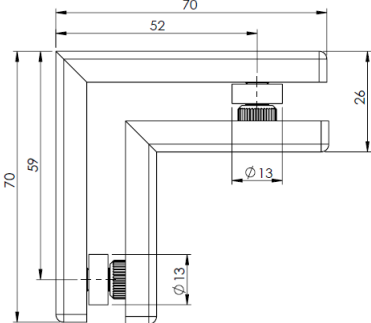
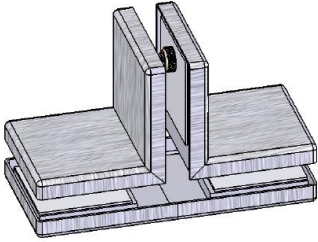
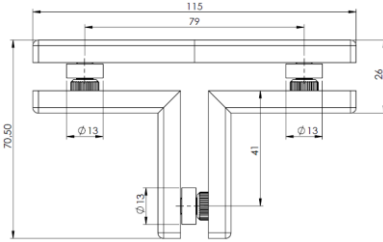
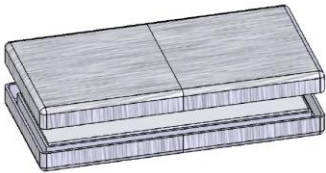
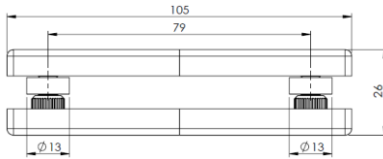




1. Holes in glass for fixing elements AFS190; AFS191; AFS192; AFS193 must be $D = \text{Ø}18$ mm & special holes for fixing elements AFS150; AFS160
2. There must be a minimum $2 \times D$ mm from the hole center till glass side (if a hole diameter is 18 mm, then minimum $2 * 18 = 36$ mm).

1.2.2. Details list

Code	Picture	Technical picture	Name
AFS150			<p><i>Single-point glass fixing to the wall. It is aluminum product with a decoration and gaskets.</i></p>
AFS160			<p><i>Fixing of two glasses in one line. It is aluminum product with a decoration and gaskets</i></p>
AFS161			<p><i>Fixing of two glasses in one line when there is no glass cuts made. It is aluminum product with a decoration and gaskets</i></p>
AFS180			<p><i>Glass fixing to the wall when there is no glass cuts made. It is aluminum product with a decoration and gaskets</i></p>
AFS190			<p><i>Glass fixing to the wall. It is aluminum product with a decoration and gaskets</i></p>

<p>AFS191</p>			<p><i>Fixing of two glasses by 90° angle. It is aluminum product with a decoration and gaskets</i></p>
<p>AFS192</p>			<p><i>Fixing of three glasses by 90° angle. It is aluminum product with a decoration and gaskets</i></p>
<p>AFS193</p>			<p><i>Fixing of two glasses in one line. It is aluminum product with a decoration and gaskets</i></p>